

The slimmest, most elegant venetian blind on the market. Ultra narrow 12.5 mm wide aluminium slats and new specially designed head rail and operating system to match.

Options

Control side	1100	Right
	1101	Left
	1103	Lift right - Tilt left
	1104	Lift left - Tilt right

Control system ¹⁾	1200	Cord - Wand
-------------------------------------	------	-------------

Fixation	1300	Swivel brackets
	1302	Ceiling brackets
	1306	Extension brackets 6/10 cm
	1307	Extension brackets 14/17 cm

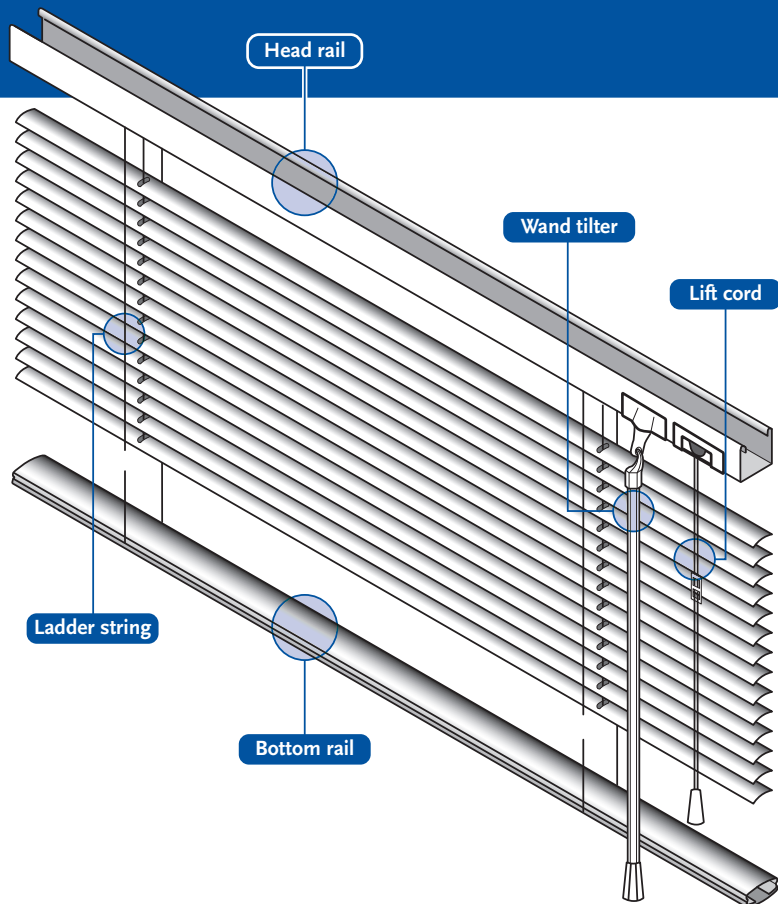
Others	1904	Side guide
	1910	Metal Tassels
	1942	2 Color Combinations
	1943	3 Color Combinations
	1944	4 Color Combinations
	1950	Side by side

Properties

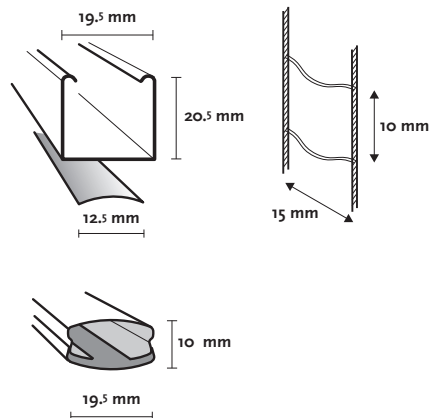
Slat material	Crowned high tensile aluminium plain colors, special effects, perforated and printed
Slat width	12.5 mm
Head rail	Roll formed steel painted 19,5 x 20,5 x 0,5 mm
Bottom rail	Roll formed steel painted 19,5 x 10 x 0,5 mm
Cord	Polyester 1.4 mm
Ladder string	Polyester width 15 mm
	Distance between ladder rungs 10 mm
Tilt wand	Transparent plastic 7 mm hexagonal

Sundries

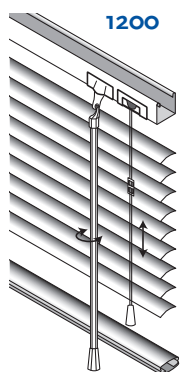
¹⁾ Cord/Wand length	Standard 2/3 of the height Special length on request
Color coordinated components	On request for projects
Metal Tassels	See System & Components Catalogue page 69



General Topics System V10/12.5



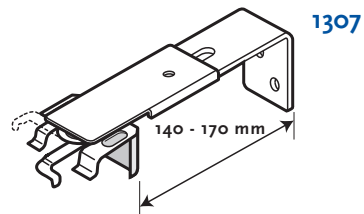
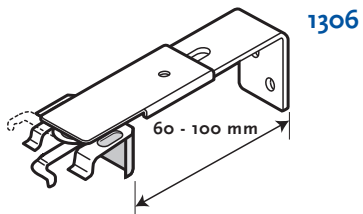
Control options



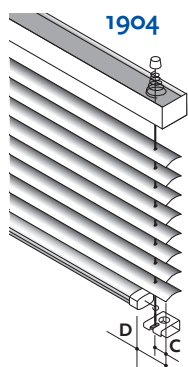
Size restrictions

Control option	Sizes in cm			
	width	height	sq.m.	
1200	Max.	250	250	5
	Min.	20	20	0,04

Fixation options

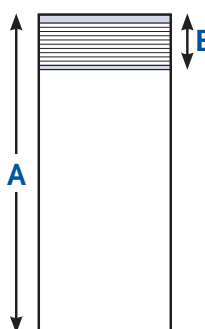


Others



Sizes in mm	
C	D
15	27

Stacking height



Sizes in mm	
Height (A)	Height (B)
500	70
1000	85
1500	100
2000	115
2500	130