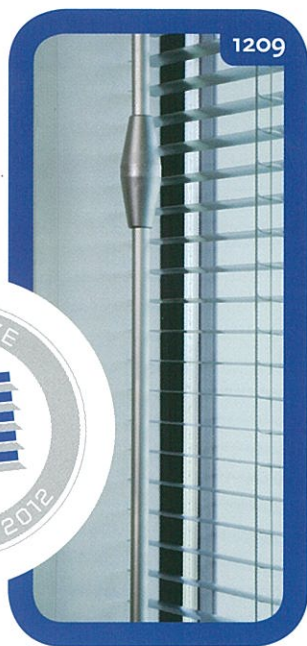


Venetian blind perfection. Direct action tilting, raising and lowering by means of new “slider” which keeps the blind tidy and elegant at all times.

25 mm slats in a multitude of colours and finishes.

New double weight closed bottom rail for improved hanging and appearance.



Patent no. 178192

Options

Control side	1100	Right
	1101	Left
Control system ¹⁾	1209	Slider

Fixation	1300	Swivel brackets
	1306	Extension brackets 6/10 cm
	1307	Extension brackets 14/17 cm

Others	1902	Valance aluminium
	1904	Side guide
	1905	Ladder tape 1/2"
	1942	2 color combination
	1943	3 color combination
	1944	4 color combination
	1950	Side by side

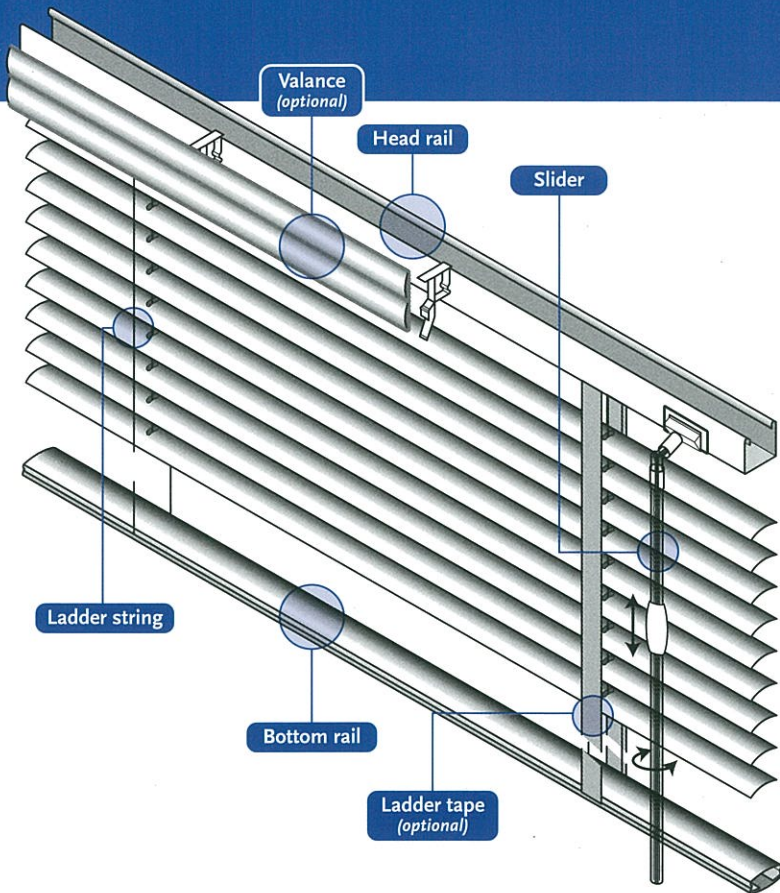
Properties

Slat material	Crowned high tensile aluminium plain colors, special effects, perforated and printed
Slat width	25 mm
Head rail	Roll formed steel painted 25 x 24 x 0.5 mm
Bottom rail	Roll formed steel painted 19.5 x 10 x 0.5 mm
Tilt wand	Aluminium 12 mm
Ladder string	Polyester width 28 mm
	Distance between ladder rungs 21.5 mm
Ladder tape 1/2"	Polyester width 30 x 23 x 12 mm

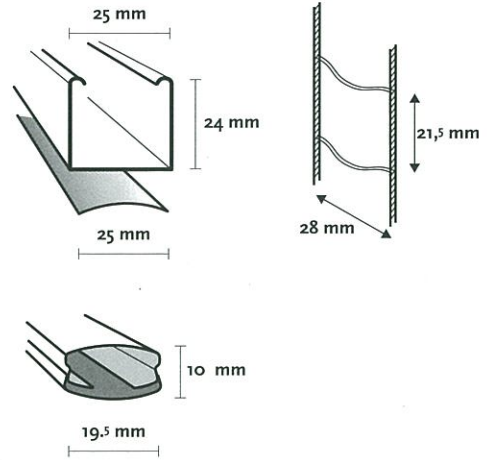
Sundries

¹⁾ Wand length	For drop > 200 cm (drop:2)+15 cm
	For drop < 200 cm (drop:2)+B-180 cm B=drop from the floor

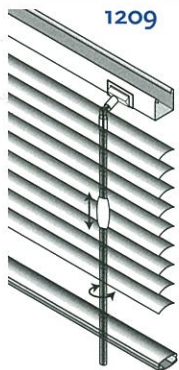
Color coordinated components	On request for projects
-------------------------------------	-------------------------



General Topics System V13/25



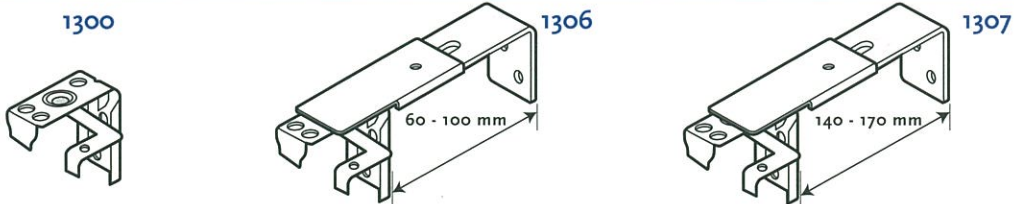
Control options



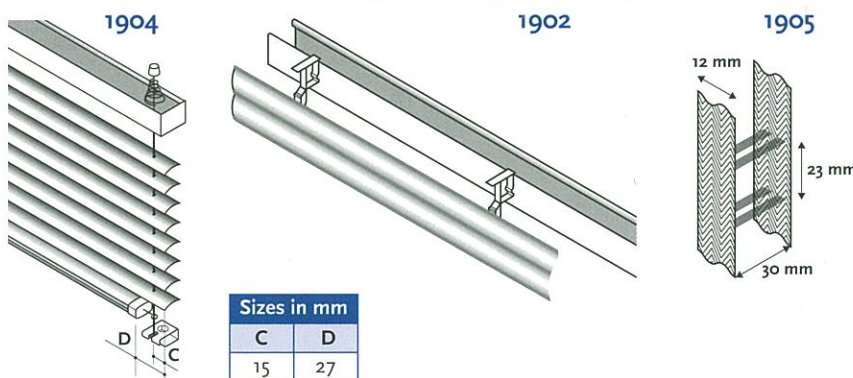
Size restrictions

Control option	Sizes in cm			
	width	height	sq.m.	
1209	Max.	250	250	3,2
	Min.	45	20	0,09

Fixation options



Others



Sizes in mm	
C	D
15	27

Stacking height

Height (A)	Sizes in mm	
	LC	LT
500	45	70
1000	60	105
1500	70	140
2000	80	175
2500	95	210

LC = ladder cord
LT = ladder tape