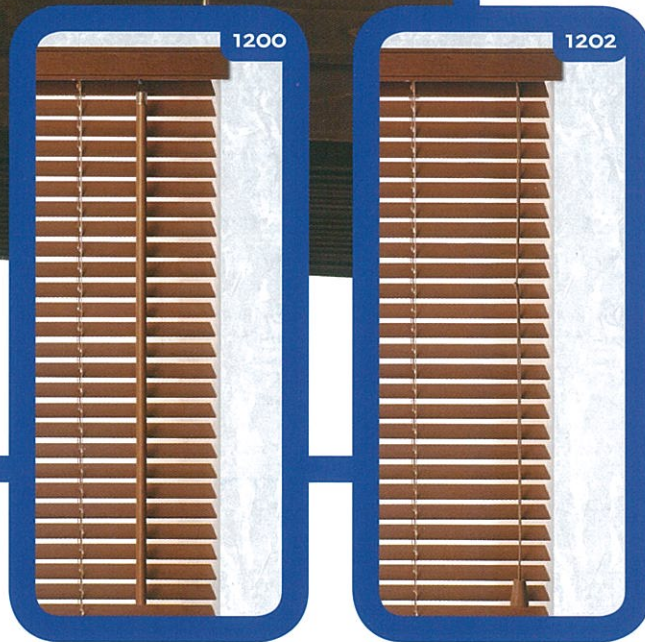


Holis , Creation Wood blinds with cordless lifting system, no lift cords for children to play with. Let's you simply push up with your hand to raise and pull down to lower. Your blinds and shades stay right where you put them.



## Features and benefits

- Advanced Motor and tension system is designed for effortless, cord free blind operation.
- Cordless, lift assist blinds are expertly balanced to allow for precise operation with minimal effort.

## Options

**Control side**  
1100 Right  
1101 Left

**Fixation** 1300 Swivel brackets

**Control system <sup>1)</sup>**  
1200 Wand  
1202 Cord

**Others**  
1907 Corner wood Valance  
1942 2 color combination  
1943 3 color combination  
1944 4 color combination  
1950 Side by side

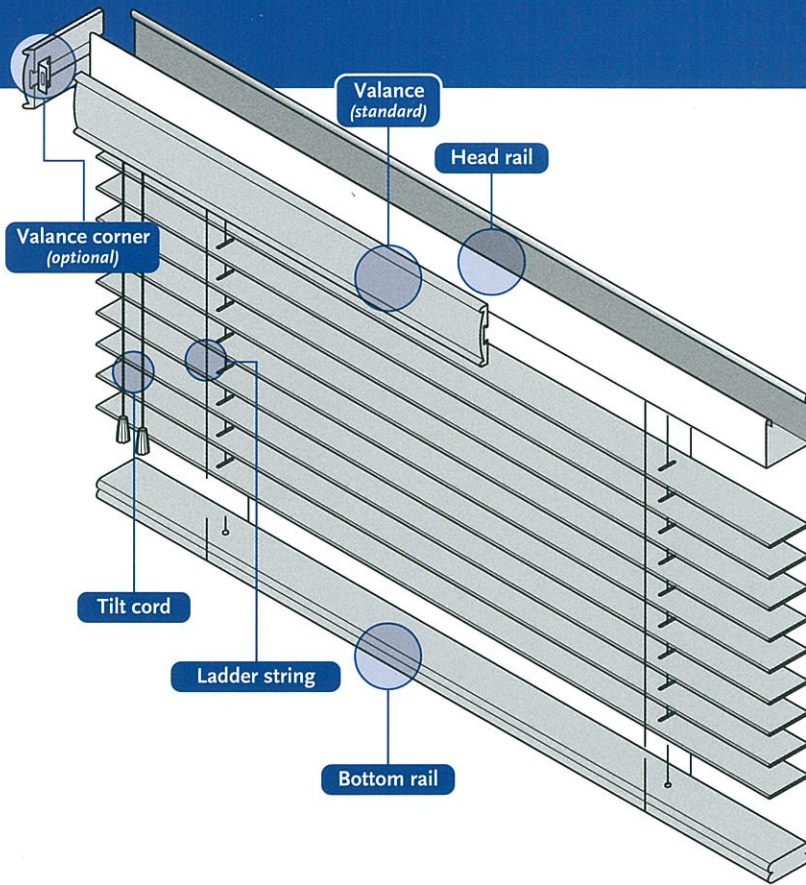
## Properties

**Slat material** Polystyrene wood effect  
**Slat width** 50 mm  
**Head rail** Roll formed steel painted 57 x 38.3 x 0.5 mm  
**Bottom rail** Polystyrene 51 x 16 mm wood effect  
**Cord** Polyester 1.4 mm for tilting  
**Ladder string** Polyester width 53 mm  
Distance between ladder rungs 44 mm  
**Tilt Wand** Painted wood 11 mm

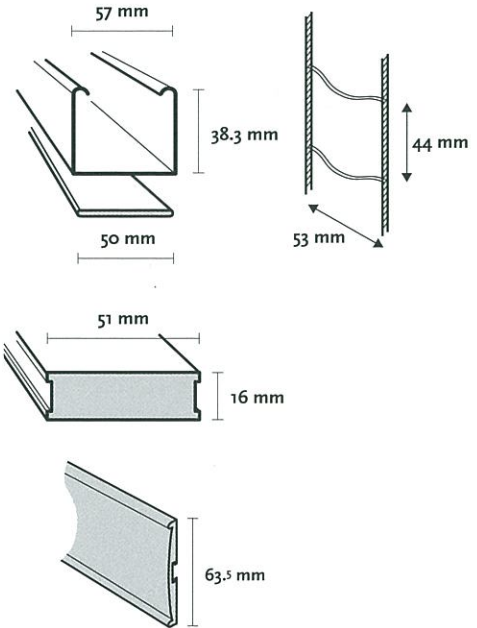
## Sundries

<sup>1)</sup> **Cord/Wand length** Standard 2/3 of the height  
Special length on request

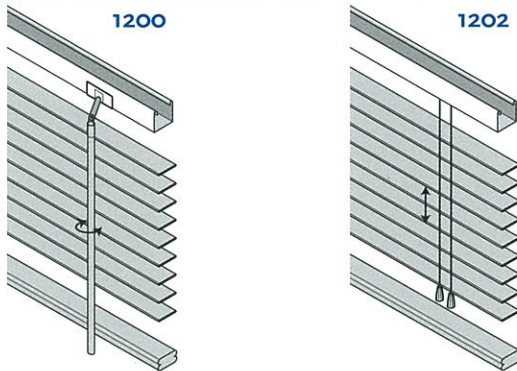
**Color coordinated components** On request for projects



### General Topics System V17/50



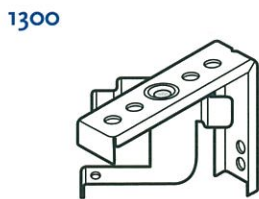
### Control options



### Size restrictions

Control option	Sizes in cm			
	width	height	sq.m.	
1200	Max.	190	183	3,5
1202	Min.	45	30	0,14

### Fixation options



### Stacking height

Sizes in mm	
Height (A)	Height (B)
	LC
500	130
1000	170
1500	210
2000	250
2500	290
3000	330

LC = ladder cord

### Others

