

The successful Sunstrip blind is now available with the best operation imaginable, **The Slider**.

The Slider is an easy to use, hassle free operation method. Simply by moving the knob up and down you can adjust the blind to any desired position. **The slider** is free of cords and chain and complies to the latest EU child safety regulations.

Options

Control side 5100 Control-right
 5101 Control-left

Control system 5221 Slider

Fixation 5316 Ceiling fixation
 5318 Extension bracket 15-65 mm

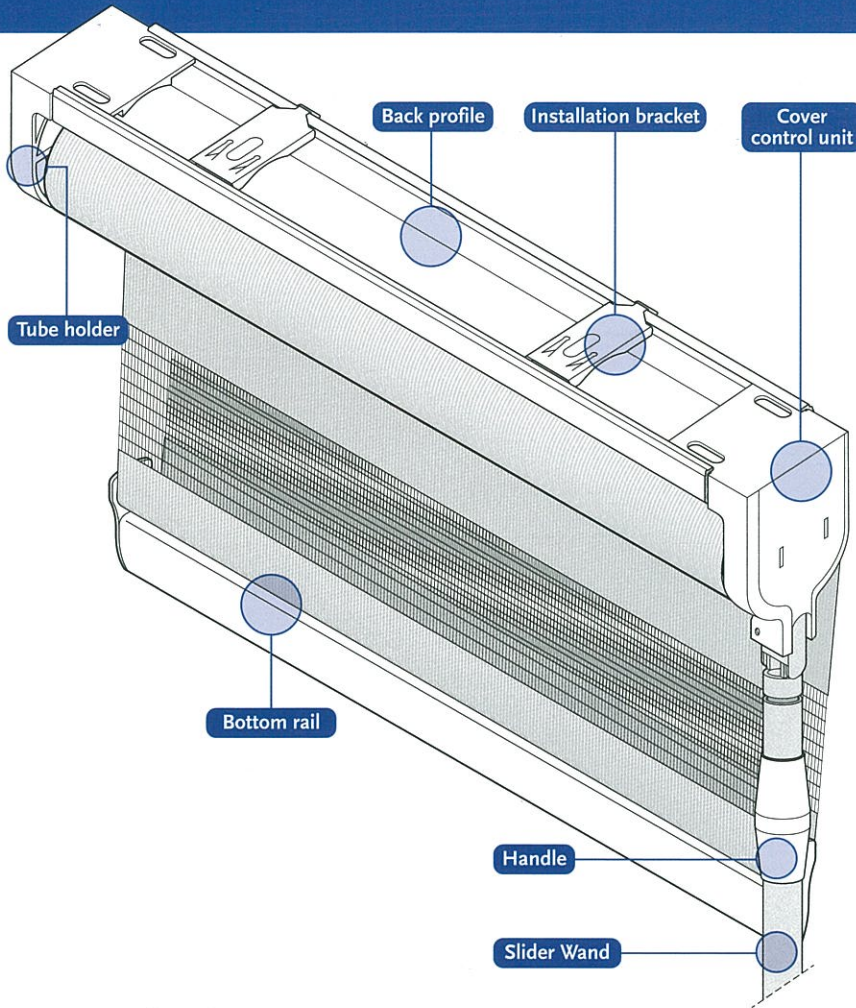
Others 5948 Blackout bottom rail
 5349 Round bottom rail
 5950 Anodized profile
 5953 Black R-9005 profile
 5955 Side by Side
 5971 Same start on back side

Properties

Tube Ø 38 x 1 mm aluminium tube
Wand Aluminium white painted
Bottom rail Aluminium white painted 20 x 44 mm
 include end caps
Back profile Aluminium white painted
 Height 65/80 mm x width 60 mm
 include bracket
Installation bracket Metal clip brackets

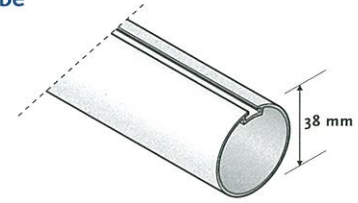
Sundries

Wand According height of the blind and
 height from the floor

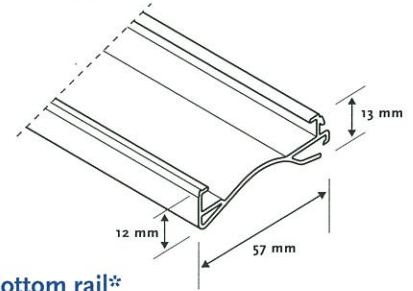


Standard Topics

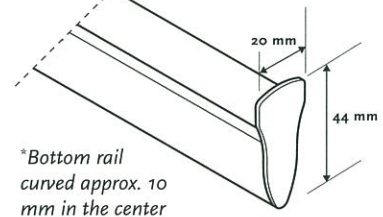
Tube



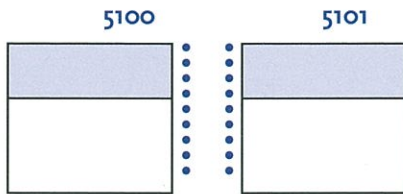
Back/top profile



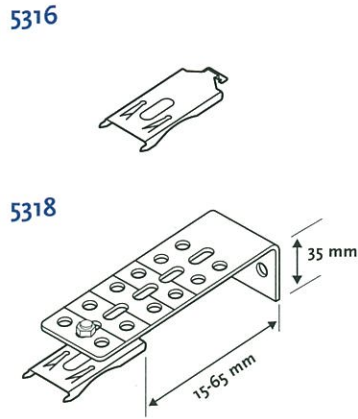
Bottom rail*



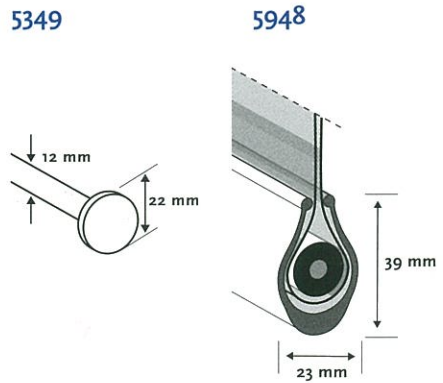
Control sides



Fixation options



Others



Size restrictions

Size Ind.	Sizes in mm	
	min.	max
A	300	2500
A'	16.5	
A²	19.5	
B	300	2500
C	81	
D	A -/- 36	

