

Strong electrically operated motorized system for large blinds up to 500 cm x 600 cm\*.

## Options

**Orientation side**    5100    Control-right  
                               5101    Control-left

**Orientation system**    5250    Motor 220V, switch <sup>1)</sup>  
                                       5251    Motor 220V, Remote control <sup>1)</sup>  
                                       5228    Motor 220V only <sup>1)</sup>

**Fixation**                5310    Universal brackets

**Others**                 5940    Inserted fabric bottom rail (3 colors)

## Properties

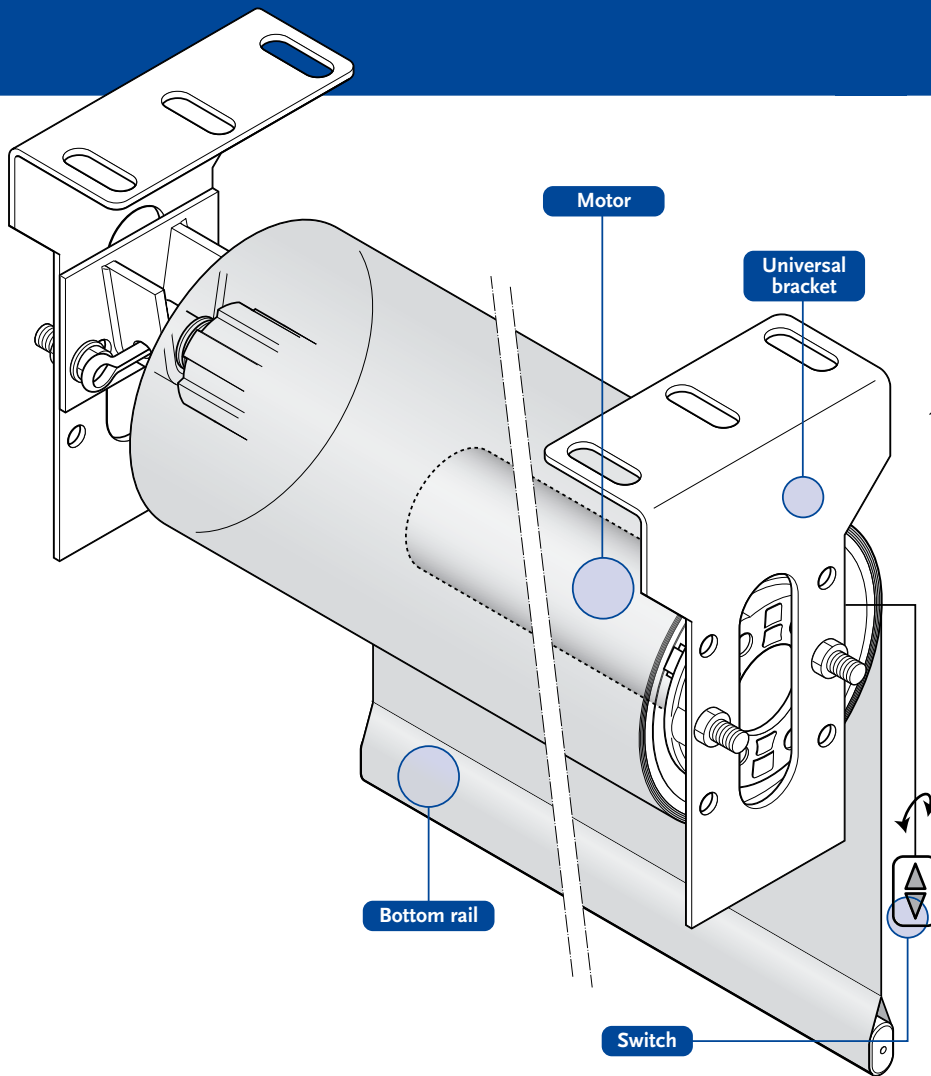
**Tube**                     Aluminium, Ø 105 x 3.0 mm  
**Bottom rail**            C-type steel painted white  
                                   19.5 x 10 x 0.5 mm  
**Universal brackets**    Metal brackets  
**Inserted fabric bottom rail (option)**    Aluminium painted white/cream/grey  
                                   21 x 11.5 mm

## Sundries

**Motor**                    220 volt type Somfy  
**Tube**                     Covered by single thickness of fabric

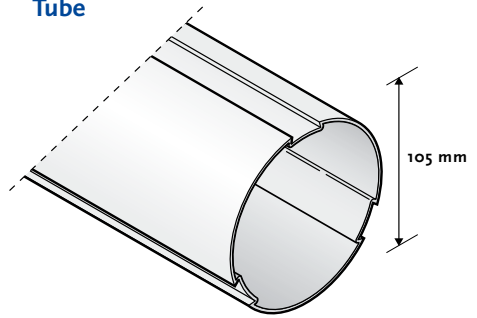
<sup>1)</sup> Mono system somfy® made and according to their specifications [www.somfy.com](http://www.somfy.com)

\*For these large sizes, please check availability before placing order

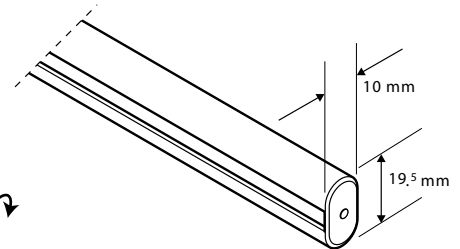


### Standard Topics

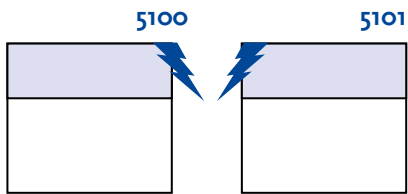
#### Tube



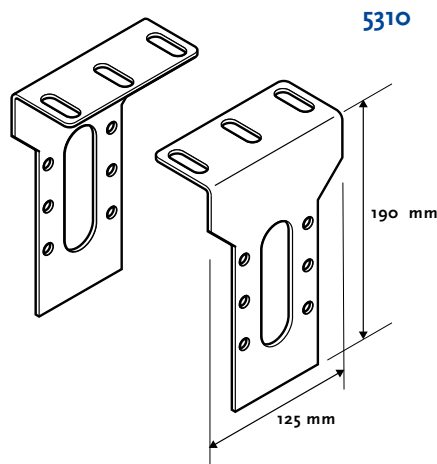
#### Bottom rail



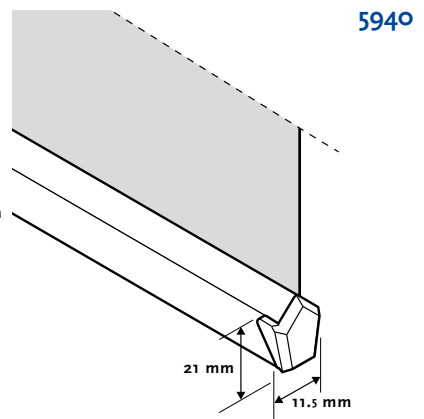
### Orientation options



### Fixation options



### Others



### Sizes

Size Ind.	Sizes in mm		Remarks
	min.	max.	
A	600	5000	
A <sup>1</sup>	35		
A <sup>2</sup>	35		
B	300	5000	
C	160		
D	A -/- 70		

